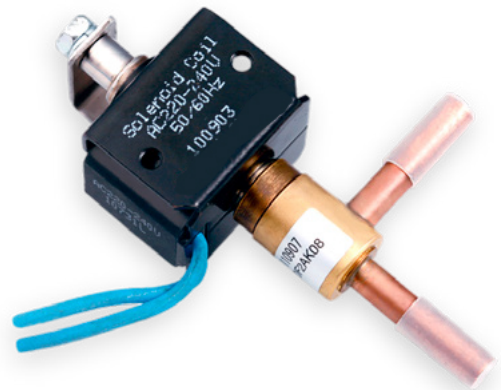


FDF2AK (NO) SERIES

SOLENOID VALVE

FDF2AK series solenoid valves are direct operated, normally open solenoid valves, mainly used in refrigerant control of various devices such as refrigerating and freezing systems, air conditioners and heat pumps.



FEATURES

- COMPACT DESIGN
- LOW ENERGY CONSUMPTION
- EXCELLENT OPERATION PERFORMANCE

GENERAL SPECIFICATIONS

- Applicable for all common HCFC, HFC refrigerants such as: R22, R134a, R404A, R407C, R410A, R507, R407A/F, R448A/R449A, R452A, R450A/R513A¹⁾
- Medium temperature TS min./max.: -30°C / 120°C
- Ambient temperature: -30°C / +50°C
- Relative humidity: 0 to 95% RH

- Installation position:
 - Liquid, suction and discharge line
 - Coil upwards, coil axis $\pm 15^\circ$ tolerance versus vertical axis
 - Flow direction corresponds to the arrow
- Declaration according to LVD or PED

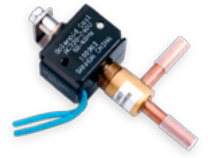
Note: 1) Flammable refrigerants like R32, R290 on request

TECHNICAL PARAMETERS OF VALVE BODY

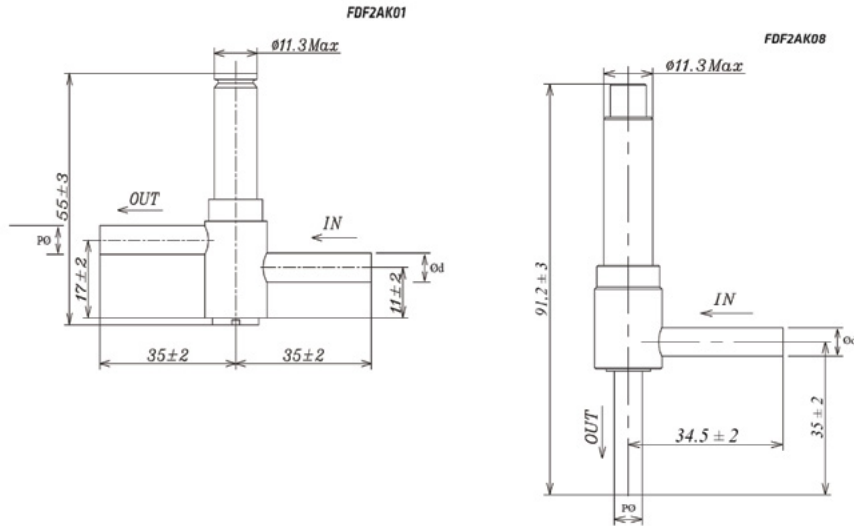
Valve Body Model	Part Number*	Normal Position	Actuation	Ø Seat [mm]	Kv [m ³ /h]	MOP [MPa]	Max. OPD [MPa]	Min. OPD [MPa]	Connection OD Ød	
									[mm]	[inch]
FDF2AK19	10120047402	NO	Direct	1,8	0,05	4,5	2,1	0	6,35	1/4
FDF2AK08	10120009702			1,9	0,08	4,5	1,5		±0,1	

* Available also as industrial package.

SOLENOID VALVE



DIMENSIONS - VALVE BODY



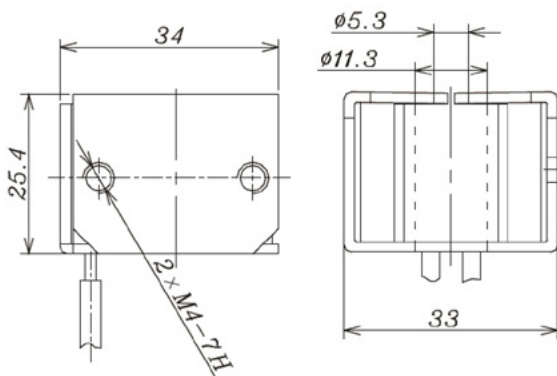
TECNICAL PARAMETERS OF COIL

Coil Model	Part Number*	Rated Voltage [V]	Supply	Power ³⁾ [W]	Used for	Freq. [Hz]	Voltage Tolerance	Insulation Class	Wiring type
FQ-A05024 -000709	10800072302	24	AC	5 (50Hz) 4,5 (60Hz)	FDF 2AK 01 ¹⁾	50/60	-15% +10%	B	flying leads
FQ-A05120 -001098	10800062002	110 to 120		5 (50Hz) 4,5 (60Hz)					
FQ-A0522G -001022	10800057302	220 to 240		5 (50Hz) 4,5 (60Hz)					
FQ-A0522G -001066	10800060102	220 to 240		6,5 (50Hz) 5 (60Hz)	FDF 2AK 08 ²⁾				

- Note:** * Available also as industrial package.
 1) Dimensions: drawing 1
 2) Dimensions: drawing 2
 3) Power consumption based on 220V

DIMENSIONS - COIL

Drawing 1: FQ-A05024-000709, FQ-A05120-001098, FQ-A0522G-001022



Drawing 2: FQA-55007

