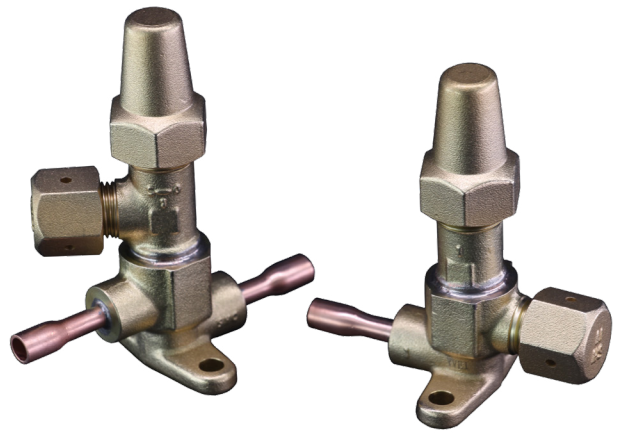


CSV SERIES

SERVICE VALVES

Brass service valves of CSV series are applicable for R744 systems. The inner path of the valve can be closed by operating the valve stem. The units can be used as service valve for vacuum pumping and refrigerant injection.



FEATURES

- COST EFFICIENT SOLUTION
- RELIABLE AND ROBUST DESIGN
- EASY OPERATION

GENERAL SPECIFICATIONS

- Applicable for R744
- Max. operating pressure PS:12MPa (120 bar)
- Ambient temperature min./max.: -30°C / +60°C
- Medium temperature TS min./max.: -45 °C / +125°C
- Installation position: Preferably liquid and suction line
- Certifications: PED declaration (all the models are in Art.4.3 according to PED Directive 2014/68/EU)

GENERAL CHARACTERISTICS

Model	Part Number ¹⁾	Connections				Kv
		Port "A" ²⁾		Port "B" ³⁾		
		Type	Size [inch]	Type	Size [inch]	[m ³ /h]
CSV-Z22ST-11	10165413301	Ordinary metric thread	M16 x 1.5	Solder - ODF	1/4"	-
CSV-Z22ST-13	10165413401	Solder - ODF	1/4"	Solder - ODF	1/4"	0.33
CSV-Z33ST-10	10165413201	Solder - ODF	3/8"	Solder - ODF	3/8"	0.95
CSV-Z44ST-9	10165413101	Solder - ODF	1/2"	Solder - ODF	1/2"	1.40
CSV-A2GCR-4	10165521801	Flare	7/16-20UNF	Solder - ODF	1/4"	0.30
CSV-A2GCR-5	10165531602	Solder - ODF	1/4"	Solder - ODF	1/4"	0.30

Note: 1) Extent of delivery: valve body with charge port & pipe connection(s), dust cap for shut-off port, caps for charge port and pipe connection

2) Port "A" for model CSV-Z22ST-11 is charge connection (Fig.1)

3) Port "B" for model CSV-Z22ST-11 is the connection to system (Fig.1)

SERVICE VALVES



DIMENSIONS

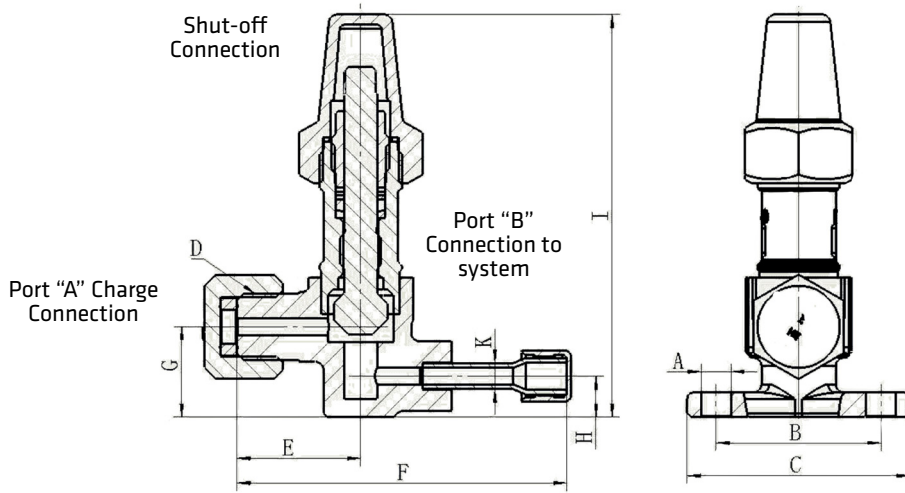


Fig.1 Model: CSV-Z22ST-11

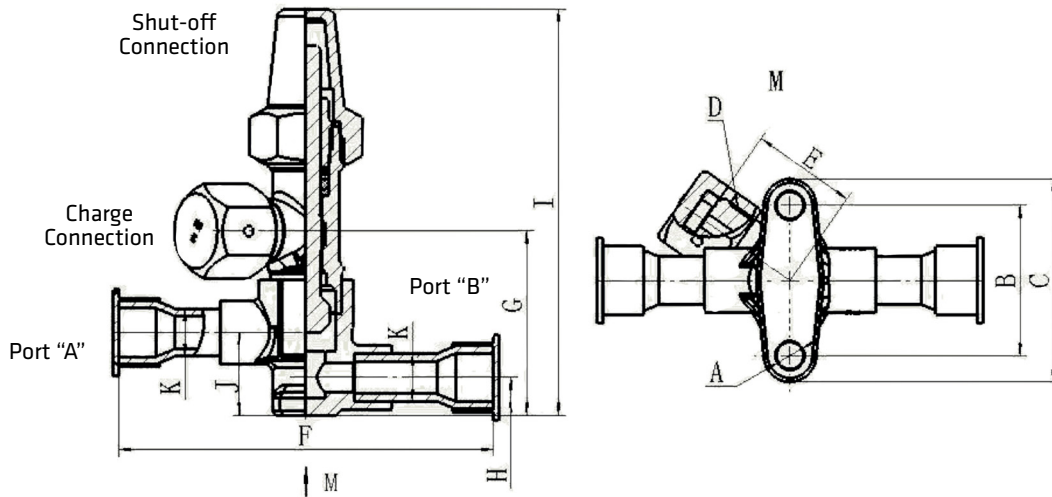


Fig.2 Models: CSV-Z22ST-13, CSV-Z33ST-10 & CSV-Z44ST-9

SERVICE VALVES

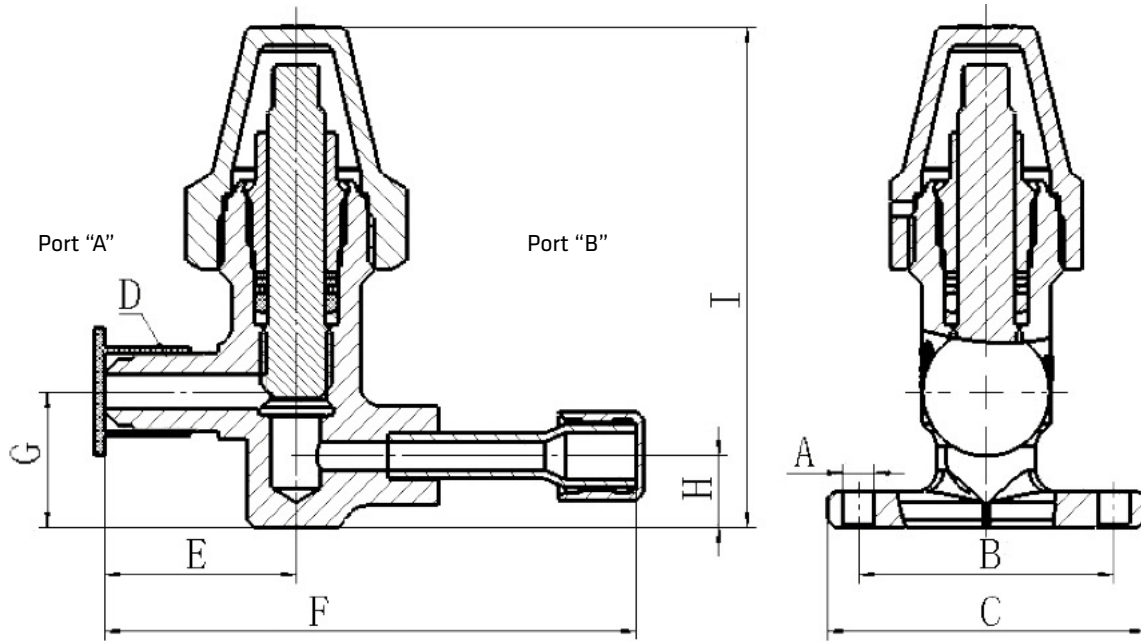


Fig.3 Model: CSV-A2GCR-4

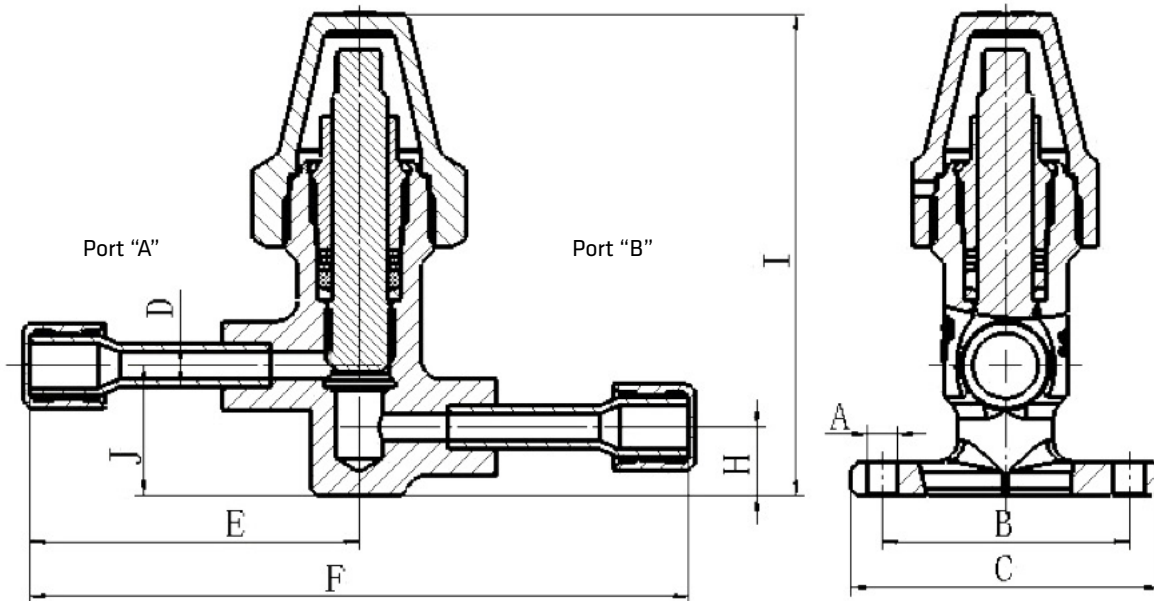


Fig.3 Model: CSV-A2GCR-5

SERVICE VALVES



Model	Charge Connection		Shut-off Connection			Dimensions [mm]							
	Size [inch]	Cap wrench Size	Size [inch]	Cap wrench Size	Stem Size Ø [mm]	ØA	B	C	E	F	H	I	J
CSV-Z22ST-11	M16	H22	M20	H26	6.35	7.2	40	50	28	80	10	98	-
CSV-Z22ST-13	M16	H22	M21	H26	6.35	7.2	40	50	28	100	10	108	22
CSV-Z33ST-10	M16	H22	M22	H26	6.35	7.2	40	50	28	100	10	108	22
CSV-Z44ST-9	M16	H22	M23	H26	6.35	7.2	40	50	28	100	10	108	22
CSV-A2GCR-4	-	-	M20	H27	6.35	4.5	36	45	27	75	10	70.5	19
CSV-A2GCR-5	-	-	M20	H27	6.35	4.5	36	45	48	96	10	70.5	19