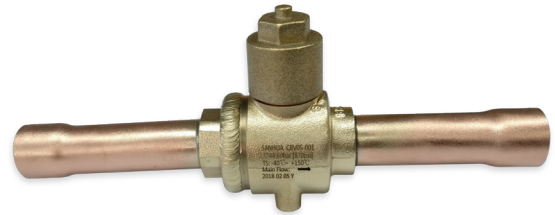


CBV SERIES

BALL VALVE

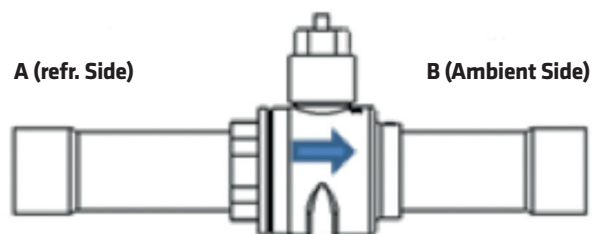


CBV valves are typically used in commercial CO₂ refrigeration applications in order to open and to shut off inner flow path by operating the valve stem. The ball valve of series CBV is applicable for subcritical CO₂ refrigeration systems and is a perfect choice for all similar CO₂ systems.

FEATURES

- STRAIGHTWAY TYPE, FULL PORT, LOW PRESSURE DROP, COST-EFFECTIVE
- VALVE BODY AND VALVE SEAT WITH WELDED STRUCTURE, WITH HIGH PRODUCT RELIABILITY
- ROTATE ¼ CIRCLES FROM FULL-OPEN TO FULL-CLOSE, EASY TO OPERATE
- BIDIRECTIONAL FLOW ¹⁾
- ROTATION STOP FOR FULL-OPEN AND FULL-CLOSE OF THE VALVE AVAILABLE
- SPECIAL SEALING MATERIALS TO PREVENT INTERNAL LEAKAGE

Note: 1) CBV valves fulfill internal tightness requirements of the standard EN12284, paragraph 9.6.3 in both flow directions. Installations with shut off function to the atmosphere (just temporarily for service purpose): Please install the solder connection "B" at the airside. Please see solder connection "A" and "B" at the dimensional drawing page 3.
Remark: Welding body junction is always at solder connection "A"



GENERAL SPECIFICATION

- Applicable for R744 (CO₂)
- Medium temperature TS min./max.: -40°C/+150°C
- Max. operating pressure PS: 6,0 MPa (60bar)
- Installation position: liquid, suction and discharge line in all directions
- Certification: PED declaration.

BALL VALVE



GENERAL CHARACTERISTICS

Model	Part Number* ¹⁾	Connection Ø d ODF		Kv	Wrench Size Cap	PED Category
		[inch]	[mm]	[m ³ /h]	[mm]	
CBV02-002	10150074202	-	6	1,9	H14	4.3
CBV02-001	10150074102	1/4	-	1,9	H14	4.3
CBV03-001	10150074302	3/8	-	5,5	H14	4.3
CBV03-002	10150074402	-	10	5,5	H14	4.3
CBV04-002	10150074602	-	12	7,3	H14	4.3
CBV04-001	10150074502	1/2	-	7,3	H14	4.3
CBV05-001	10150074702	5/8	16	13,8	H14	4.3
CBV06-002	10150074902	-	18	20,6	H17	4.3
CBV06-001	10150074802	3/4	-	20,6	H17	4.3
CBV07-001	10150063002	7/8	22	29,0	H17	4.3
CBV09-002	10150075002	-	28	54,3	H17	4.3
CBV09-001	10150062902	1 1/8	-	54,3	H17	4.3
CBV11-001	10150075102	1 3/8	35	85,5	H17	I
CBV13-002	10150062802	1 5/8	-	133,7	H17	I
CBV13-003	10150075202	-	42	133,7	H17	I
CBV17-001	10150075302	2 1/8	54	225,0	H19	I

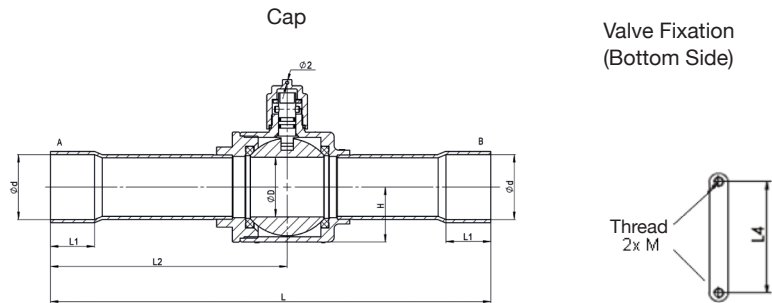
Note: * Available also as industrial package.

1) Extent of delivery: valve body and standard cap

BALL VALVE



DIMENSIONS & WEIGHT



Model	Part Number*	L	L1	L2	L4	D	H	M	Weight
CBV02-002	10150074202	132	8	68	22	14	16	M4 x 0,7	0,28
CBV02-001	10150074102	132	8	68	22	14	16	M4 x 0,7	0,28
CBV03-001	10150074302	132	8	68	22	14	16	M4 x 0,7	0,29
CBV03-002	10150074402	132	8	68	22	14	16	M4 x 0,7	0,29
CBV04-002	10150074602	160	10	85	22	14	16	M4 x 0,7	0,30
CBV04-001	10150074502	160	10	85	22	14	16	M4 x 0,7	0,30
CBV05-001	10150074702	160	12	85	22	14	16	M4 x 0,7	0,30
CBV06-002	10150074902	185	14	99	30	19	20	M4 x 0,7	0,51
CBV06-001	10150074802	185	14	99	30	19	20	M4 x 0,7	0,51
CBV07-001	10150063002	185	17	99	30	19	20	M4 x 0,7	0,52
CBV09-002	10150075002	208	20	112	38	25	25	M4 x 0,7	0,73
CBV09-001	10150062902	208	20	112	38	25	25	M4 x 0,7	0,73
CBV11-001	10150075102	251	25	136	48	32	31	M6 x 1,0	1,42
CBV13-002	10150062802	281	29	151	55	38	35	M6 x 1,0	1,90
CBV13-003	10150075202	281	29	151	55	38	35	M6 x 1,0	1,90
CBV17-001	10150075302	305	34	167	74	50	46	M6 x 1,0	3,74

* Available also as industrial package.